

• **10 YEAR WARRANTY** •

Models: CP48D, CP56D, CP60D, CP48DW, CP56DW, CP60DW

These models are guaranteed to be free from defects in workmanship and material for a period of ten (10) years from date of purchase. Within the first (1) year from date of purchase any defective product should be returned to your **RETAIL OUTLET** along with proof of purchase. For the balance of the warranty nine (9) years, **the MOTOR WINDINGS ONLY**, shall be free of defects. We will correct such defects or replace the motor at our option if the product is returned **FREIGHT PREPAID** to one of the following addresses listed below as directed by customer service.

All costs of removing and re-installing the product are **YOUR RESPONSIBILITY**. Damage to any part such as by accident, misuse, improper installation or by affixing any accessories **IS NOT** covered by this warranty. As a result of varying climatic conditions in your area this warranty does not cover any changes in finishes, including rusting, pitting, corroding, tarnishing or peeling.

WARRANTY VOID:

In cases of alteration, abuse, installation not in accordance with instructions or REMOVAL of the C.S.A. Sticker.

NOTE: It is not recommended the changing of downrods on industrial ceiling fans. **THIS WARRANTY IS VOID IF THE DOWNROD HAS BEEN CHANGED.** We offer 36" downrod model that is CP56D1136N, and all other sizes are 16".

2157 Parkedale Ave.,
Brockville, Ontario
K6V 5V6
PH: (613) 342-5424
FX: 1-800-263-4598

2555 Rue Bernard
Lefebvre
Laval, Quebec
H7C 0A5
PH: (450) 665-2535
FX: (450) 665-0910

808 Commerce Park Drive,
Ogdensburg, NY
13669
PH: 1-800-267-4427
FX: 1-800-263-4598

CP-3D
10/24

harmonizedhome
CANARMNA®



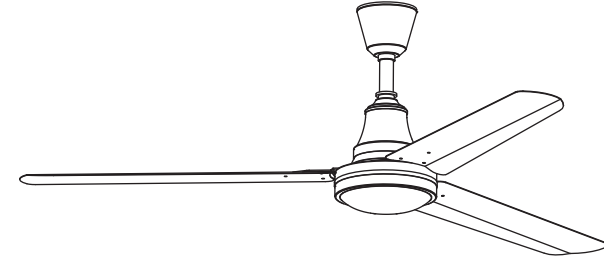
NEED HELP?
Call or Email us first

Our service team is ready to answer your questions...
1-800-265-1833 (English) / 1-800-567-2513 (French)
IN CANADA - ressalesscanada@canarmna.ca - IN USA - ressalessusa@canarmna.ca

Monday – Friday
8 AM - 5 PM EST.

INSTALLATION INSTRUCTIONS

Model: CP48D, CP56D, CP60D, CP48DW, CP56DW, CP60DW



These fans only work with the RREM-DCQ014-W control (sold separately).



INSTRUCTIONS PERTAINING TO RISK OF FIRE OR INJURY TO PERSONS READ ALL INSTRUCTIONS

IMPORTANT SAFETY INSTRUCTIONS

SAVE THESE INSTRUCTIONS

INSTALLATION AND WIRING TO BE IN ACCORDANCE WITH CEC, NEC, LOCAL ELECTRICAL CODES and ANSI/NFPA 70. Consult a qualified electrician if you are not familiar with wiring.

Note to Installer

You are obligated to pass these instructions on to building maintenance or location Supervisor for maintenance of this product.

TOOLS AND MATERIALS REQUIRED

- ⊕ Screwdriver
- ⊖ Screwdriver
- Wire Cutters
- Step Ladder
- Wiring supplies as required by electrical code.

NOTE: FOR OPTIMUM QUIETNESS, FULLY ASSEMBLE FAN AND RUN 24 HOURS

SAFETY PRECAUTIONS

1. Turn off power at main electrical service box before starting installation. ¹³
2. Electrical connections must comply with local code ordinances, national electrical codes, CEC, NEC and ANSI/NFPA 70. ¹⁴
3. Remove fan from the carton carefully and check for shipping damage. Check blades for bends and dents. In case assistance is required please contact our service centre.
4. Check that the supply voltage corresponds to the rated voltage on motor of fan you have selected.
5. Do not install the fan close to the door entrance. Ensure at least 3 feet distance from end of the blades.
6. Ensure that **ONLY** wet rated model for wet location.
Damp rated model for damp location.
7. The fixing means for attachment to the ceiling such as hooks or other devices shall be fixed with a sufficient strength to withstand 4 times the weight of the ceiling fan. ⁷
8. The mounting of the suspension system shall be performed by the manufacturer, its service agent or suitably qualified persons. ⁸
9. Make sure hanger hook is mounted securely to the structural ceiling.
- 10. The fan shall not directly be supported by the outlet box.**
11. Make sure the installation site you choose allows the fan blades to rotate freely without any obstructions.
12. This appliance is not intended for use by persons (including children) with reduced physical, sensory or mental capabilities, or lack of experience and knowledge, unless they have been given supervision or instruction concerning use of the appliance by a person responsible for their safety. ¹
13. Children should be supervised to ensure that they do not play with the appliance. ²
14. Total Fan Weight: 48" approximate 7.0 kgs (15.44 lbs).
56" approximate 7.6 kgs (16.76 lbs), 60" approximate 7.8 kgs (17.20 lbs). ⁵

WARNING

1. To reduce the risk of personal injury, **DO NOT** bend the blade brackets when installing the brackets, balancing the blades or cleaning the fan. Also, **DO NOT** insert foreign objects in between rotating fan blades. ¹⁰
2. TO REDUCE THE RISK OF FIRE, ELECTRIC SHOCK, OR PERSONAL INJURY, MOUNT DIRECTLY TO A STRUCTURAL FRAMING MEMBER. ¹¹
3. Mount with the lowest moving parts at least 3.05 Meters (10 Feet) above floor or grade level.
4. All set screws must be checked and retightened where necessary, before and after installation.
5. To reduce the risk of personal injury, install the safety cable (per Fig. 1).
6. DO NOT attach blades before hanging the fan.
7. Any field alteration or changed downrods **"WARRANTY VOIDS"** any hanging mechanism warranty or liability.
8. This DC motor fan has a memory with the reverse function. If you install multiple fans under the same control, please test all the fans at the same time, in order to confirm the proper direction of the fan blades.
9. When using multiple controls, **DO NOT** share the wires between the controls.

Supplier's Declaration of Conformity 47 CFR § 2.1077 Compliance Information

Unique Identifier: CANARMNA

Responsible Party

CanarmInc.

709 East Main Street, Teutopolis, Illinois, USA 62467

1.800.267.4427

This equipment has been tested and found to comply with the limits for a Class B digital device, pursuant to Part 15 of the FCC Rules. These limits are designed to provide reasonable protection against harmful interference in a residential installation. This equipment generates, uses and can radiate radio frequency energy and, if not installed and used in accordance with the instructions, may cause harmful interference to radio communications. However, there is no guarantee that interference will not occur in a particular installation. If this equipment does cause harmful interference to radio or television reception, which can be determined by turning the equipment off and on, the user is encouraged to try to correct the interference by one or more of the following measures:

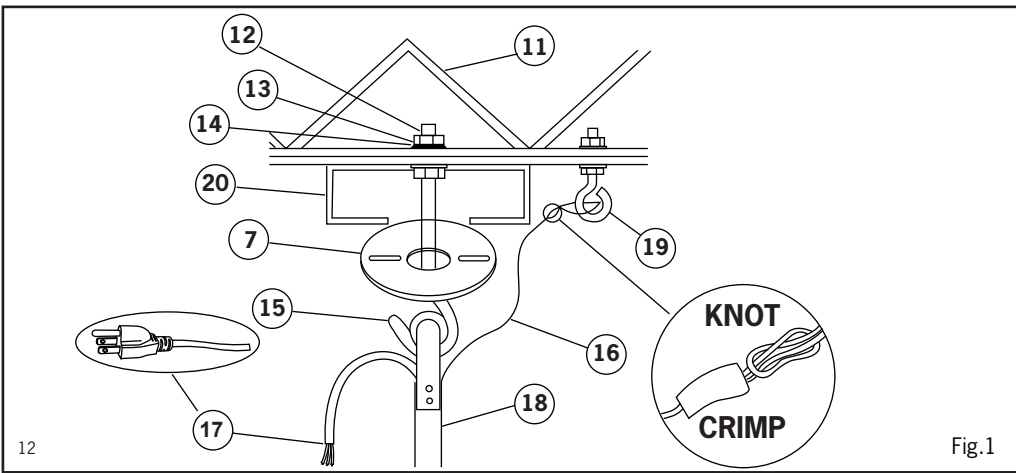
- Reorient or relocate the receiving antenna.
- Increase the separation between the equipment and receiver.
- Connect the equipment into an outlet on a circuit different from that to which the receiver is connected.
- Consult the dealer or an experienced radio/TV technician for help.

CAUTION:

Any changes or modifications not expressly approved by the grantee of this device could void the user's authority to operate the equipment. This device complies with Part 15 of the FCC Rules. Operation is subject to the following two conditions: (1) This device may not cause harmful interference, and (2) this device must accept any interference received, including interference that may cause undesired operation.

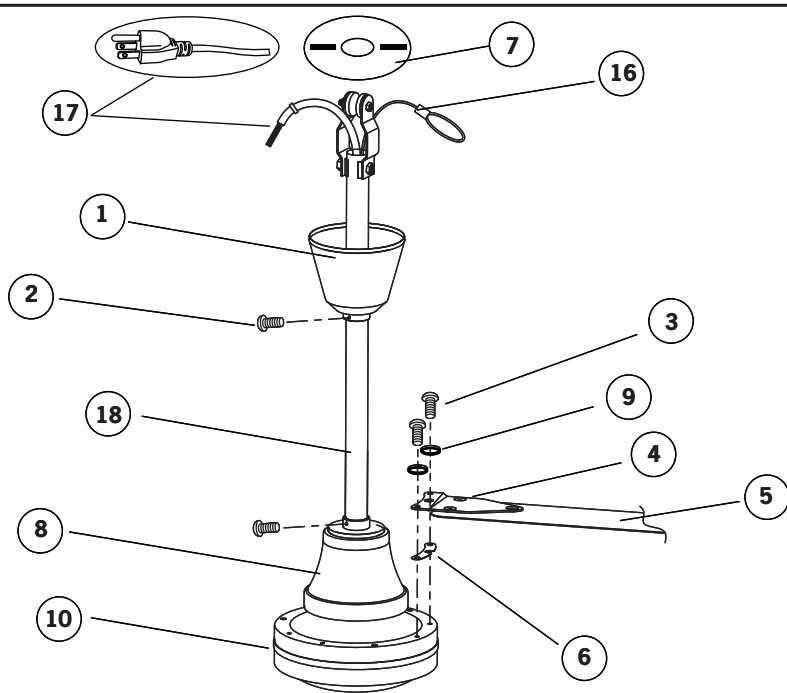
This device contains licence-exempt transmitter(s)/receiver(s) that comply with Innovation, Science and Economic Development Canada's licence-exempt RSS(s). Operation is subject to the following two conditions:

1. This device may not cause interference.
2. This device must accept any interference, including interference that may cause undesired operation of the device.



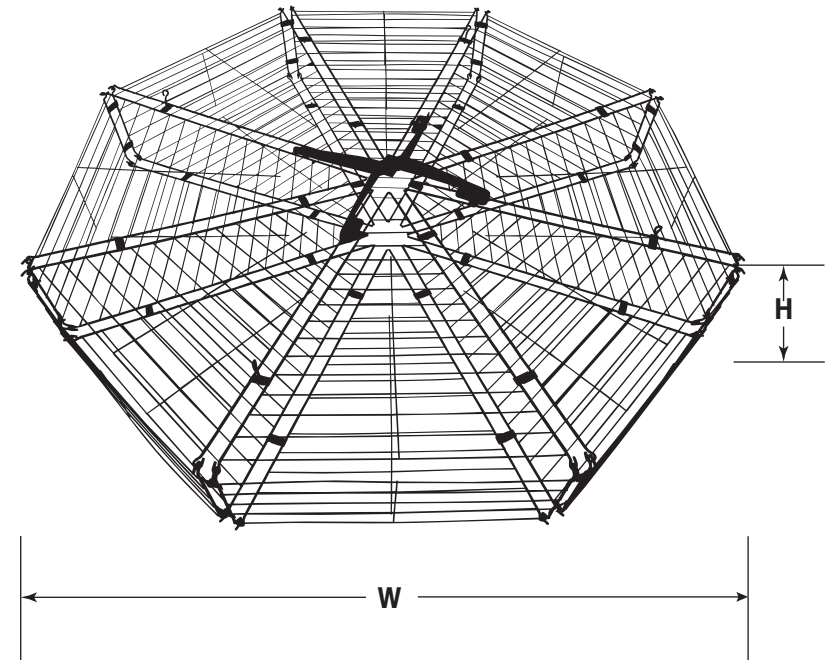
Reference Numbers:

- | | |
|-------------------------------------|---------------------------------|
| 1. Upper Canopy | 11. Steel Frame Ceiling |
| 2. Set Screw | 12. J-Hook Nut |
| 3. Blade Mounting Screw | 13. Spring Washer |
| 4. Blade Bracket | 14. Washer |
| 5. Fan Blade | 15. Threaded J-Hook |
| 6. Vibration Absorber | 16. Safety Cable |
| 7. Spark Plate (NA for Cord & Plug) | 17. Lead Wires (or Cord & Plug) |
| 8. Lower Canopy | 18. Downrod |
| 9. Blade Mounting Spring Washer | 19. Eye Bolt |
| 10. Motor Head | 20. Junction Box (Not provided) |



• **OPTIONAL FAN GUARD** •

Required for operation: RREM-DCQ014-W (Sold separately)



Guard Size	Dimension	
	W	H
CP93-61KD	66 1/2"	13"

Note: In applications where fan may be damaged (i.e. Gymnasium, or in applications where maintenance cannot or will not be done), the above illustrated fan guard should be used.

• TROUBLESHOOTING •

Trouble:

Suggestion:

1. Fan will not start.
 - Check fuses and circuit breakers
 - Check wiring connections to fan.
 - Check wiring connections in lower canopy.

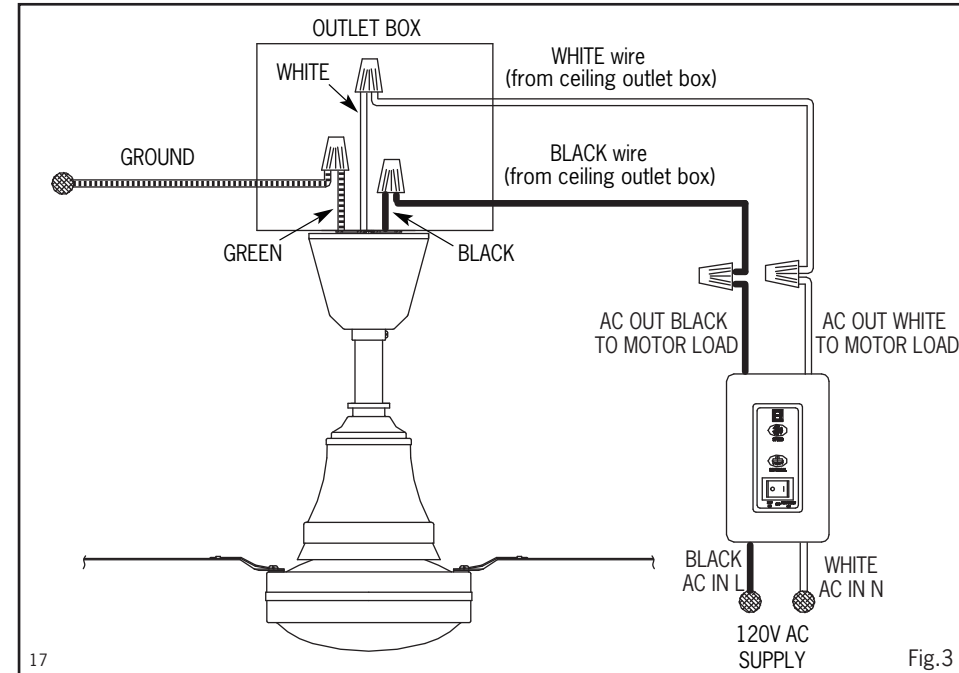
Caution: Turn power off for last two items.

2. Fan sounds noisy.
 - Check to make sure all screws in motor are snug.
 - Check to make sure that all blade bracket screws are tight.
 - Some motors are sensitive to signals from solid state variable controls. If this type of control is used some electrical noise from the motor is normal and will not effect performance. For quiet operation use models DCQ014-W "Church Quiet" controls.
 - Allow a 24 hour break in period to eliminate most noises.
3. Fan wobbles.
 - Check that all blades are screwed firmly to motor.
 - Check distance from tip of blades to ceiling,
 - Make sure upper canopy is 1/8" from ceiling.
 - Make sure that hanging hooks are secured tightly to ceiling.

ELECTRICAL HOOK-UP

Make the following wire connections to the receiver unit (see fig.3) using the wire nuts supplied.

- Connect GREEN fan wire to BARE Copper wire or GREEN household supply wire.
- Connect BLACK fan wire to BLACK household supply wire.
- Connect WHITE fan wire to WHITE household supply wire.
- After making the wire connections, ensure the wires should be spread apart with the grounded conductor and the equipment-grounding conductor on one side of the outlet box and the ungrounded conductor on the other side of the outlet box. ¹⁵
- Ensure the splices after being made should be turned upward and pushed carefully up into the outlet box. ¹⁶



INSTALLATION OF WALL CONTROL

MODEL: RREM-DCQ014-W (sold separately).

- Connect the wires as shown.
- Connect **BLACK** wall control wire (marked with "AC in L") to the **BLACK** wire from main power on the wall outlet box.
- Connect **WHITE** wall control wire (marked with "AC in N") to the **WHITE** wire from main power on the wall outlet box.
- Connect **BLACK** wall control wire (marked with "AC Out To Motor L") to the **BLACK** wire that connected to the **BLACK** wire of the fan from ceiling.
- Connect **WHITE** wall control wire (marked with "AC Out To Motor N") to the **WHITE** wire that connected to the **WHITE** wire of the fan from ceiling.

INSTALLATION OF WALL CONTROL

MODEL: RREM-DCQ014-W (sold separately).

- Caretully push wire nuts into the UL or CSA approved outlet box atter connections.
- Install the mounting plate to the outlet box by 2 outlet box screws (not supplied).
- Push front cover firmly onto the control unit.
- Load: Fan 3.0A (MAX).
- Max Loading of fan: 5

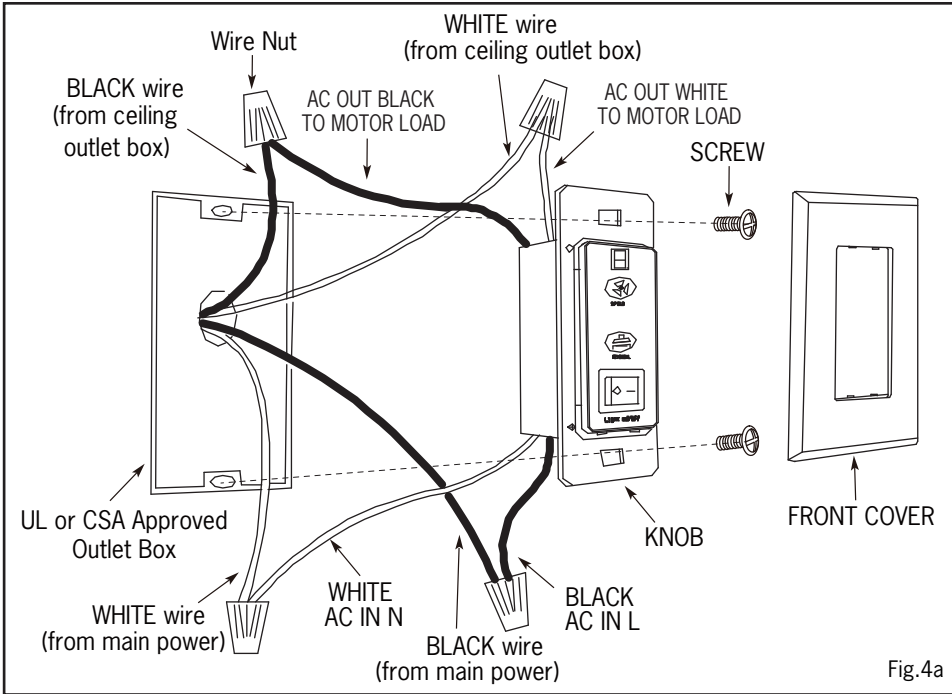
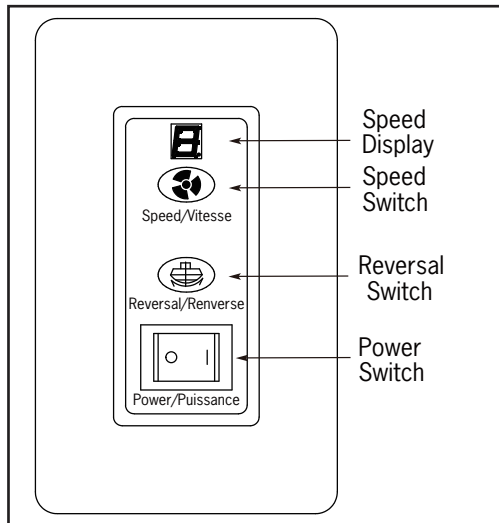


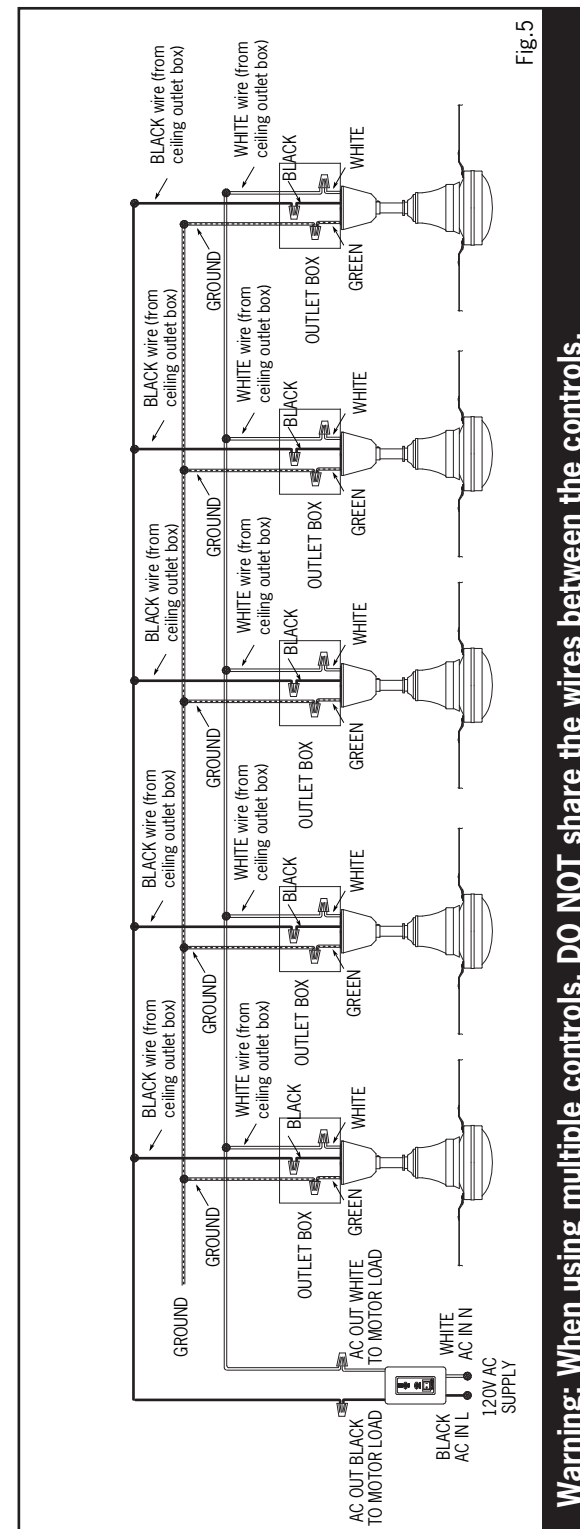
Fig. 4a



Speed display:
 0 = Fan off, long beep
 1 ~ 5 = Fan speed, short beep

NOTE: It may take about 1-2 minutes for the fan to reverse after press reverse button.

Wiring diagram of one wall control to control 2-5 fans



Warning: When using multiple controls, DO NOT share the wires between the controls.