



CBFI SERIES

Inline Exhausters. Ideal for offices, conference rooms, public restrooms and more.

FEATURES

- Available in 4 sizes with CFM's ranging from 66 to 1200 CFM.
- EC motor with forward curved wheel.
- Built in speed control.
- Low profile, quiet and energy efficient, inline exhauster with insulated cabinet.

PERFORMANCE SPECIFICATIONS

MODEL	CFM							Watts	Amps
	0	0.1	0.125	0.25	0.375	0.5	0.75		
CBFI150	122	131	128	111	94	76	0	15	0.24
CBFI300	262	254	253	241	229	215	187	55	0.78
CBFI700	616	596	592	564	538	509	395	152	2.00
CBFI1500	1235	1153	1068	964	718	229	-	264	4.90

EC motor with 0 to 10V speed control to adjust RPM to achieve desired performance - keep control above 0.9V otherwise motor turns off!

CBFI150 1.5 sones @ nominal 1/8" static and 10V

SPEED CONTROL VOLTS	CFM						
	0	0.125	0.25	0.375	0.5	0.75	1
10	149	130	114	94	66	-	-
7.5	145	125	110	90	62	-	-
5	140	120	105	87	60	-	-
2.5	119	94	73	32	-	-	-

CBFI300 2.9 sones @ nominal 1/8" static and 10V

SPEED CONTROL VOLTS	CFM						
	0	0.125	0.25	0.375	0.5	0.75	1
10	306	278	262	239	219	180	140
7.5	303	275	260	237	217	179	138
5	227	193	171	143	110	57	-
2.5	143	95	55	-	-	-	-

CBFI700 4.7 sones @ nominal 1/8" static and 10V

SPEED CONTROL VOLTS	CFM						
	0	0.125	0.25	0.375	0.5	0.75	1
10	660	634	607	574	498	380	239
7.5	627	602	577	545	473	361	227
5	583	560	537	507	440	336	211
3.25	531	510	489	461	400	306	192
2.5	478	459	440	415	360	275	173
1.75	430	413	396	374	324	248	156

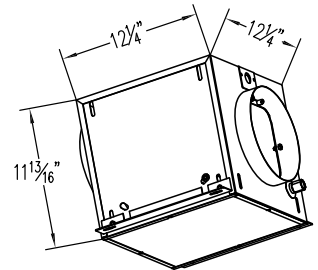
CBFI1500 8.4 sones @ nominal 1/8" static and 10V

SPEED CONTROL VOLTS	CFM						
	0	0.125	0.25	0.375	0.5	0.75	1
10	1235	1153	1068	964	718	229	-
7.5	1110	1035	961	572	-	-	-
5	999	931	865	-	-	-	-

DIMENSIONS

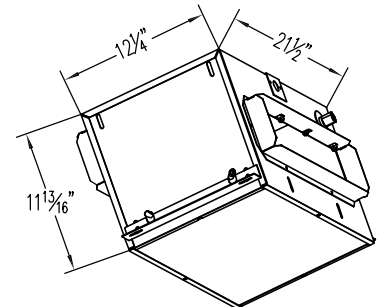
CBFI150 / CBF300

Duct Diameter:
CBFI150 - 6"
CBFI300 - 8"



CBFI700

Duct Diameter
18 1/2" x 4 1/2"



CBFI1500

Duct Diameter
13 1/4" x 8 1/4"

